



Pelvic Instruments / Implants

Beckenboden Instrumente / Implantate

Pélvica Instrumentos / Implantes

Strumenti pelvico / impianti

Instruments pelvienne / Implants



D-190-00 Pelvic Basic Set

196-075-10 Container

196-078-00 Tray

100-003-32 L	Drill Bit 3.2 mm 195 mm	2 Pieces
100-003-45 L	Drill Bit 4.5 mm 195 mm	2 Pieces
100-013-35 D	Taps 3.5 mm	1 Piece
100-013-45 D	Taps 4.5 mm	1 Piece
100-061-25	Screw Drivers for 3.5 mm Screws	1 Piece
100-061-35	Screw Drivers for 4.5 mm Screws	1 Piece
100-070-45	Depth Gauge	1 Piece
100-093-35	Bending Forceps	1 Piece
190-114-35	Bending Templates for Curved Plates 3.5 mm	1 Piece
190-116-35	Bending Templates for Straight Plates 3.5 mm	1 Piece
100-093-45	Bending Iron	1 Piece

D-190-03 Pelvic Set

196-075-10 Container

196-078-00 Tray

100-040-01	Tap Handle	1 Piece
135-228-04	Sharp Bone Hook	1 Piece
100-384-24	Pelvic Retractor	1 Piece
190-140-35	Pelvic Repositions Forceps 190 mm	1 Piece
190-140-45	Pelvic Repositions Forceps 260 mm	1 Piece
100-272-20	Reduction Forceps 200 mm	1 Piece
190-248-25	Pelvic Reduction Forceps Asymmetric with 3 Ball spikes 250 mm	1 Piece
190-249-25	Pelvic Reduction Forceps Asymmetric 250 mm	1 Piece
190-250-40	Pelvic Reduction Forceps Asymmetric 400 mm	1 Piece
190-210-19	Pelvic Reposition Forceps 190 mm	1 Piece
190-218-23	Pelvic Reposition Forceps 230 mm	1 Piece
190-227-25	Pelvic Reposition Forceps 250 mm	1 Piece
190-231-25	Pelvic Reposition Forceps with 3 Ball Spikes 250 mm	1 Piece
190-240-40	Pelvic Reposition Forceps 400 mm	1 Piece
190-247-40	Pelvic Reposition Forceps 400 mm	1 Piece
190-260-12	Straight Ball Spike 300 mm	1 Piece
145-360-20	Schanze \varnothing 6 mm 200 mm	4 Pieces
190-255-33	Pelvic Reduction Forceps	1 Piece

D-190-11 Pelvic Implant Set

196-075-10 Container

196-190-05 Tray Plates

196-190-06 Tray for Screws

124-200-02	Small Plates 4.5 mm 2 holes	2 Pieces
190-025-03	Reconstruction Plates 4.5 mm, 3 holes	2 Pieces
190-025-04	Reconstruction Plates 4.5 mm, 4 holes	2 Pieces
190-025-14	Reconstruction Plates 4.5 mm, 14 holes	1 Piece
125-275-05 To	Reconstruction Plates 3.5 mm	
125-275-09	2 each: 5 - 6 - 7 - 8 - 9 holes	10 Pieces
125-275-10 To	Reconstruction Plates 3.5 mm	
125-275-18	1 each: 10 - 12 - 14 - 16 - 18 holes	5 Pieces
190-055-06 To	Curved Reconstruction Plates 3.5 mm	
190-055-08	2 each: 6 - 8 holes	4 Pieces
190-055-10 To	Curved Reconstruction Plates 3.5 mm	
190-055-18	1 each: 10 - 12 - 14 - 16 - 18 holes	5 Pieces
124-045-70 To	Screws 4.5 mm \varnothing	
124-045-94	3 each: 70 - 75 - 80 - 85 - 90 - 95 - 100 - 105 - 110 mm	27 Pieces
125-035-55 To	Screws 3.5 mm \varnothing	
125-035-94	3 each: 55 - 60 - 65 - 70 - 75 - 80 - 85 - 90 - 95 - 100 - 105 - 110 mm	36 Pieces
124-105-95/96	Cancellous Screws 6.5 mm x 16 mm	
	3 each: 115 - 120 mm	6 Pieces
124-105-50 To	Cancellous Screws 6.5 mm x 16 mm	
124-105-60	3 each: 50 - 55 - 60 mm	9 Pieces



Reconstruction Plates -4.5mm

For use with 4.5 mm cortex screws. Can be bent in three dimensions with special bending irons (do not bend more than 15° between holes)

Profil: 12.0 x 2.8 mm
 Distance between holes: 16.0 mm



	Length	Holes		Length	Holes
190-025-03	45 mm	3	190-025-10	157 mm	10
190-025-04	61 mm	4	190-025-11	173 mm	11
190-025-05	77 mm	5	190-025-12	189 mm	12
190-025-06	93 mm	6	190-025-13	205 mm	13
190-025-07	109 mm	7	190-025-14	221 mm	14
190-025-08	125 mm	8	190-025-15	237 mm	15
190-025-09	141 mm	9	190-025-16	253 mm	16

Reconstruction Plates, 3.5 mm



	Length	Holes		Length	Holes
125-275-05	58 mm	5	190-275-13	154 mm	13
125-275-06	70 mm	6	190-275-14	166 mm	14
125-275-07	82 mm	7	190-275-15	178 mm	15
125-275-08	94 mm	8	190-275-16	190 mm	16
125-275-09	106 mm	9	190-275-18	214 mm	18
125-275-10	118 mm	10	190-275-20	238 mm	20
125-275-11	130 mm	11	190-275-22	262 mm	22
125-275-12	142 mm	12			



Curved Reconstruction Plates - 3.5 mm

Primary Indication: Pelvic and acetabular reconstructive surgery

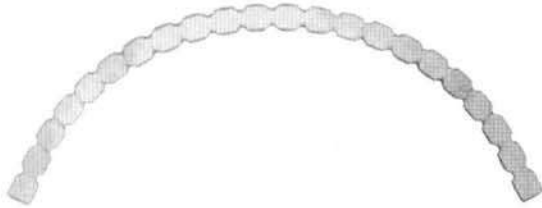
Profil: 10.0 x 2.8 mm
 Distance between holes: 12.0mm
 Curving radius: 100.0 mm

	Length	Holes
190-055-06	70 mm	6
190-055-08	94 mm	8
190-055-10	118 mm	10
190-055-12	142 mm	12
190-055-14	166 mm	14
190-055-16	190 mm	16
190-055-18	214 mm	18

For operation of symphysis- scission

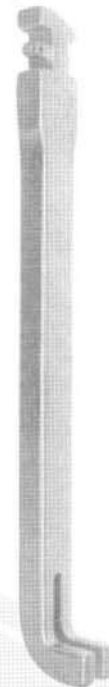


124-200-02 2 Holes

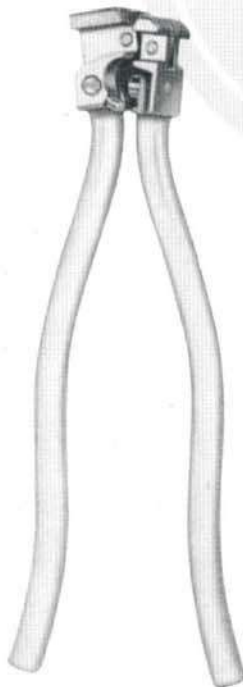


Bending Templates

- 190-110-45** for curved Reconstruction Plates 4.5 mm Bending Templates
- 190-112-45** for straight Reconstruction Plates 4.5 mm Bending Templates
- 190-114-35** for curved Reconstruction Plates 3.5 mm Bending Templates
- 190-116-35** for straight Reconstruction Plates 3.5 mm Bending Templates



- 100-093-45** Bending Iron for 3.5 mm and 4.5 mm Plates



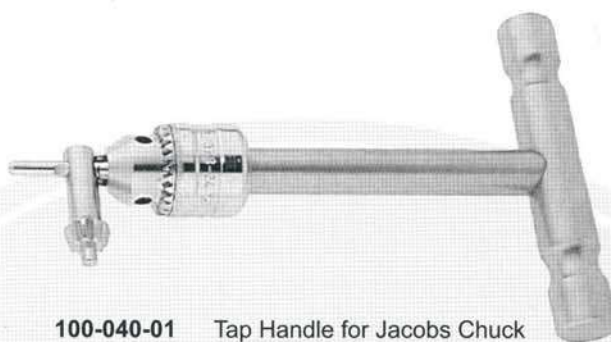
- 100-093-35** Bending Pliers for 2.7 mm and 3.5 mm Plates



- 190-130-15** Osteotomy Chisels 304 mm, 15 mm
- 190-130-20** Osteotomy Chisels 304 mm, 20 mm



135-228-04 Sharp Bone Hook



100-040-01 Tap Handle for Jacobs Chuck



100-384-24 Long wide tip for pelvic Surgery, width 24 mm



100-272-20 Reduction Forceps with points 200 mm



190-140-35 Pelvic Reposition Forceps 190 mm for Screws 3,5 mm
190-140-45 Pelvic Reposition Forceps 190 mm for Screws 4,5 mm



190-210-19
Pelvic Reposition Forceps 190 mm



190-218-23
Pelvic Reposition Forceps 230 mm



190-227-25
Pelvic Reposition Forceps 250 mm



190-231-25
Pelvic Reposition Forceps with
3 Balls Spikes 250 mm



190-240-40
Pelvic Reposition Forceps 400 mm

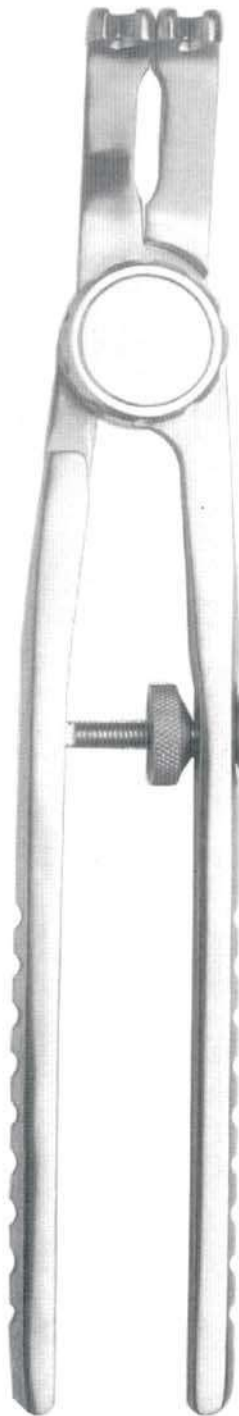
190-247-40
Pelvic Reposition Forceps 400 mm



190-248-25
Pelvic Reduction Forceps Asymmetric
with 3 ball Spikes 250 mm

190-249-25
Pelvic Reduction Forceps Asymmetric
250 mm

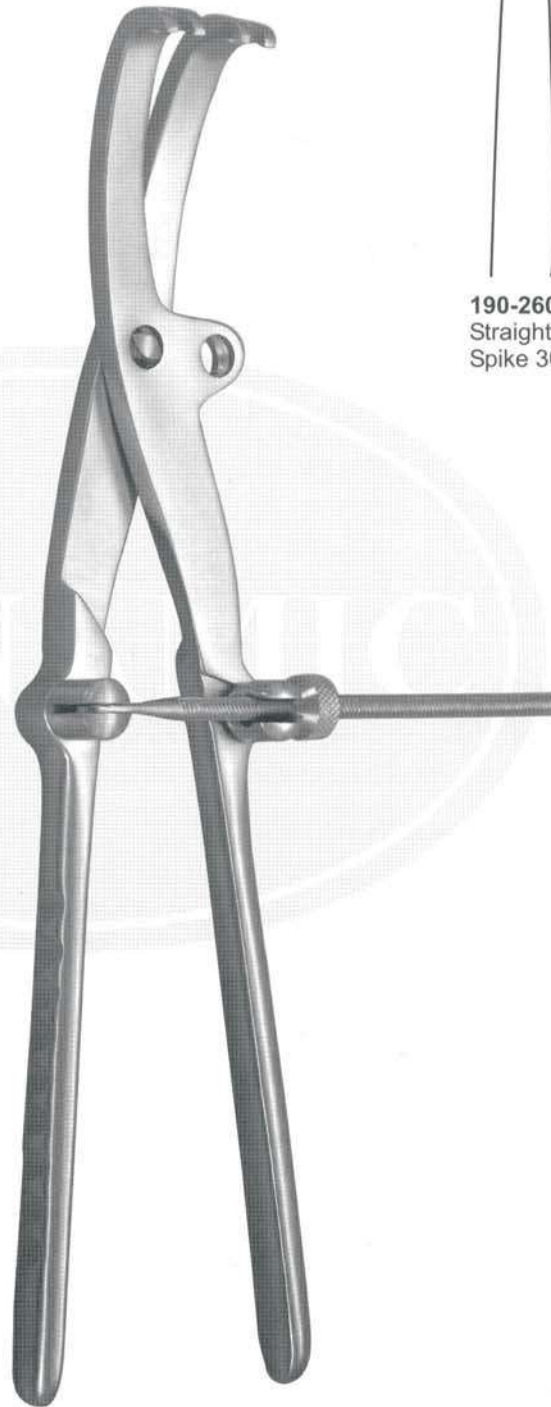
190-250-40
Pelvic Reduction Forceps
Asymmetric 400 mm



190-252-04
Reposition Forceps

A new shifting technique permits adjusting of the holding area within seconds and without dismantling the instrument.

Easy and quick fixation in both directions by means of 2 nuts



190-255-33
Pelvic Reduction Forceps for Screws
Adjustable Large, Quick Action Lock 330 mm



190-260-12
Straight Ball
Spike 300 mm



145-360-20
Schanze Screw
Ø 6 mm 200 m